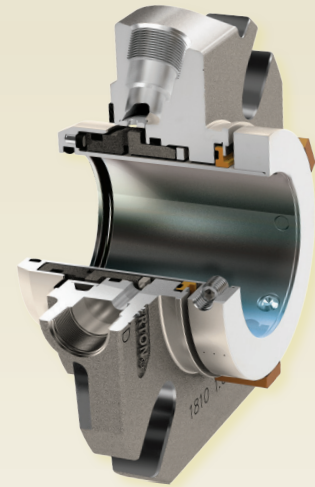
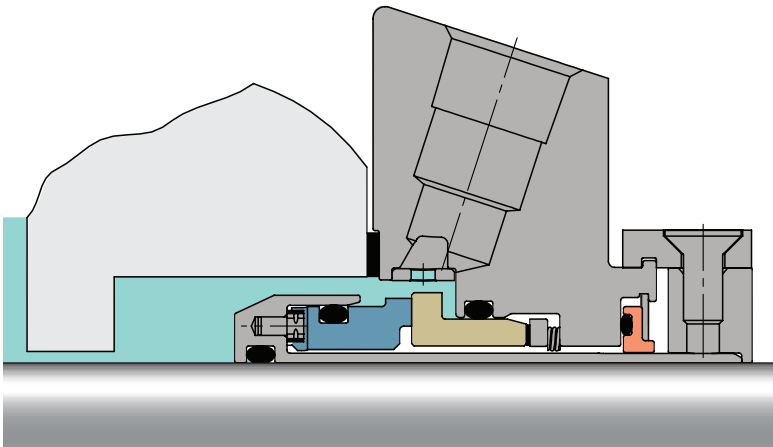


# 1810

## Moduulitiiviste

***Chesterton's AXIUS™ moduulin pohjalta valmistettu yksitoiminen liukurengastiiviste. Luotettava ja yksinkertainen moduulirakenne.***

1810 Chesterton® on laadukas ja helposti muokattavissa oleva yksitoiminen liukurengastiiviste. Sen pohjana on Chesterton Axius moduulialusta jolloin tiivisteeseen liukupinnat, elastomeerit ja muut tiivistämiseen liittyvät osat voidaan muokata käyttökohteen mukaan rungon ja laipan pysyessä samana. Helppo muunneltavuus mahdollistaa saman tiivisteeseen käytön lähes kaikissa tehdasympäristön tiivistyskohteissa.



**AXIUS™**  
 Chesterton® Modular Platform

### Edut

- Monipuolinen tiiviste useimpiin kohteisiin Chesterton AXIUS™ moduulirakenteen johdoista
- Monoliittisen liukupintarakenteen johdosta tiivistää luotettavasti syklisen start/stop prosessin aikana
- Parannettu liukupintojen käyttöikä
- ViewIn™ teknologia mahdollistaa tiivisteeseen helpon ja yksinkertaisen identifioimisen

### Spesifikaatiot

|                  |  |
|------------------|--|
| <b>Koko</b>      | 25 mm – 120 mm<br>1.00" – 4.75"                            |
| <b>Paine</b>     | 711 mm tai 28" Hg tyhjiö ...40 bar                         |
| <b>Lämpötila</b> | -55°C ...300°C<br>Lämpötilarajat elastomeereista riippuvia |
| <b>Nopeus</b>    | 25 m/s   |

#### Standardit ja hyväksynyt

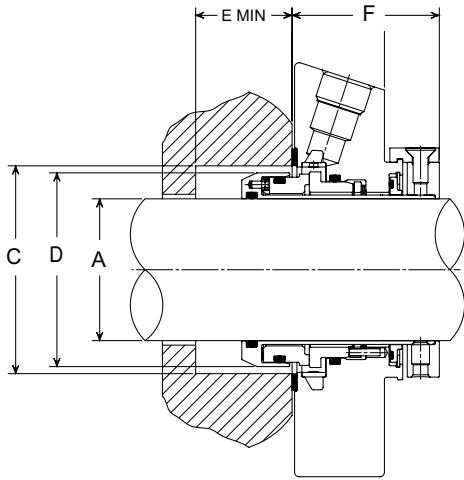
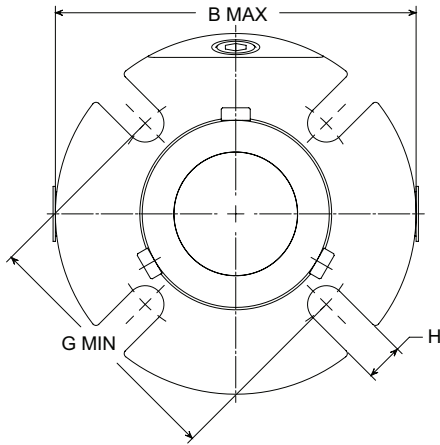
ISO-3069C, ASME B73.1, B73.2

\* Seal pressure capabilities are dependent on the fluid sealed, temperature, speed, and seal face combinations. For operation outside the limits and additional materials consult Chesterton Mechanical Seal Engineering.

### Rakennemateriaalit

|                             |                              |
|-----------------------------|------------------------------|
| <b>Pyörivät liukupinnat</b> | CB<br>SSC<br>TC              |
| <b>Kiinteät liukupinnat</b> | SSC<br>TC                    |
| <b>Elastomeerit</b>         | FKM<br>EPDM<br>FEPM<br>FFKM  |
| <b>Metalliosat</b>          | 316 haponkestävä (EN 1.4401) |
| <b>Jouset</b>               | Alloy C-276 (EN 2.4819)      |

# Mittatiedot



## 1810

- A – Akselikoko
- B – Maksimi laipan halkaisija
- C – Tiivistepesän halkaisija
- D – Tiivisteiden ulkohalkaisija
- E – Minimi tiivistepesän syvyys
- F – Tiivisteiden ilmakemän puoleinen pituus
- G – Minimi pulttikoon mukainen pulttikehä
- H – Uran leveys

## 1810 metrinen

| Akseli Koko | Laippa OD | Tiivistepesä Koko |              | Halkaisija Ulko | SB Syvyys | OB Pituus | Pulttikehä Pulttikoko |               |           |       |
|-------------|-----------|-------------------|--------------|-----------------|-----------|-----------|-----------------------|---------------|-----------|-------|
|             |           | B                 | C            |                 |           |           | G MIN                 |               |           |       |
| A           | MAX       | MIN               | MAX          | D               | E         | F         | 10 mm                 | 12 mm         | 16 mm     | 20 mm |
| 25          | 104       | 44.5              | 51.1         | 42.9            | 18.5      | 50        | 73.2                  | -             | -         | -     |
| 28          | 104       | 47.8              | 51.8         | 46.0            | 18.5      | 50        | 73.2                  | -             | -         | -     |
| 30 (OS)     | 104 (127) | 51.0 (59.4)       | 56.6 (68.1)  | 49.5            | 18.5      | 50        | 78.0 (90.0)           | -             | -         | -     |
| 32          | 104       | 49.0              | 58.8         | 47.4            | 18.5      | 50        | 80.1                  | -             | -         | -     |
| 33          | 111       | 49.0              | 58.8         | 47.4            | 18.5      | 50        | 80.1                  | 81.6          | -         | -     |
| 35          | 111       | 53.9              | 59.2         | 52.4            | 18.5      | 50        | 83.2                  | 85.2          | -         | -     |
| 38          | 114       | 57.1              | 62.0         | 55.5            | 18.5      | 50        | 85.8                  | 88.6          | -         | -     |
| 40 (OS)     | 127       | 59.0 (69.1)       | 68.3 (74.2)  | 57.5            | 18.5      | 50        | 90.0 (96.5)           | 92.0          | -         | -     |
| 42          | 127       | 61.0              | 66.0         | 59.5            | 18.5      | 50        | 90.2                  | 92.0          | -         | -     |
| 43          | 127       | 62.0              | 68.8         | 60.5            | 18.5      | 50        | 94.0                  | 96.0          | -         | -     |
| 45          | 139       | 64.0              | 73.4         | 62.5            | 18.5      | 50        | 94.8                  | 96.8          | -         | -     |
| 48          | 139       | 67.0              | 73.8         | 65.5            | 18.5      | 50        | 95.3                  | 97.3          | -         | -     |
| 50 (OS)     | 139 (152) | 69.0 (84.9)       | 78.5 (96.3)  | 67.5            | 18.5      | 50        | 100.0 (118.6)         | 102.0 (120.6) | -         | -     |
| 53          | 152       | 73.0              | 87.4         | 71.4            | 18.5      | 50        | 108.3                 | 110.3         | 114.3     | -     |
| 55          | 152       | 74.0              | 83.6         | 72.4            | 18.5      | 50        | 104.5                 | 106.5         | 110.5     | -     |
| 58          | 152       | 79.3              | 91.2         | 77.8            | 18.5      | 50        | 116.2                 | 118.2         | 122.2     | -     |
| 60 (OS)     | 152 (165) | 79.3 (96.1)       | 91.2 (107.4) | 77.8            | 18.5      | 50        | 116.2 (129.8)         | 118.2 (131.8) | 122.2 (-) | -     |
| 65          | 164       | 85.7              | 100.3        | 84.1            | 18.5      | 50        | 127.4                 | 129.4         | 133.4     | -     |
| 70          | 196       | 95.0              | 111          | 93.0            | 24.0      | 63        | -                     | 137.0         | 141.0     | -     |
| 75          | 202       | 101.0             | 119          | 99.0            | 24.0      | 63        | -                     | 143.0         | 147.0     | -     |
| 80          | 203       | 106.0             | 122          | 103.0           | 24.0      | 63        | -                     | 150.0         | 154.0     | -     |
| 85          | 211       | 111.0             | 128          | 109.0           | 24.0      | 63        | -                     | 156.5         | 160.5     | 164.0 |
| 90          | 215       | 116.0             | 132          | 114.0           | 24.0      | 63        | -                     | 160.0         | 164.0     | 168.0 |
| 95          | 222       | 121.0             | 137          | 118.0           | 24.0      | 63        | -                     | 161.0         | 165.0     | 170.0 |
| 100         | 228       | 127.0             | 145          | 125.0           | 24.0      | 63        | -                     | 168.0         | 172.0     | 177.0 |
| 110         | 237       | 137.0             | 154          | 134.0           | 24.0      | 63        | -                     | 178.0         | 182.0     | 186.0 |
| 120         | 267       | 146.0             | 164          | 144.0           | 24.0      | 63        | -                     | 191.0         | 195.0     | 198.5 |

## 1810 tuumaa

| Akseli Koko | Laippa OD     | Tiivistepesä Koko |             | Halkaisija Koko | SB Syvyys | OB Pituus | Pulttikehä Pulttikoko |             |             |             |
|-------------|---------------|-------------------|-------------|-----------------|-----------|-----------|-----------------------|-------------|-------------|-------------|
|             |               | B                 | C           |                 |           |           | G MIN                 |             |             |             |
| A           | MAX           | MIN               | MAX         | D               | E         | F         | 3/8"                  | 1/2"        | 5/8"        | 3/4"        |
| 1.000       | 4.11          | 1.75              | 2.01        | 1.69            | 0.73      | 1.95      | 2.88                  | -           | -           | -           |
| 1.125 (OS)  | 4.11 (4.49)   | 1.88 (2.24)       | 2.04 (2.79) | 1.81            | 0.73      | 1.95      | 2.88 (3.65)           | -           | -           | -           |
| 1.250       | 4.11          | 2.00              | 2.27        | 1.94            | 0.73      | 1.95      | 3.14                  | -           | -           | -           |
| 1.375 (OS)  | 4.45 (5.39)   | 2.13 (2.72)       | 2.33 (2.92) | 2.06            | 0.73      | 1.95      | 3.27 (3.78)           | 3.40 (-)    | -           | -           |
| 1.500       | 4.50          | 2.25              | 2.44        | 2.19            | 0.73      | 1.95      | 3.40                  | 3.53        | -           | -           |
| 1.625       | 5.00          | 2.38              | 2.69        | 2.31            | 0.73      | 1.95      | 3.52                  | 3.64        | -           | -           |
| 1.750 (OS)  | 5.50 (6.65)   | 2.50 (3.20)       | 2.81 (3.73) | 2.44            | 0.73      | 1.95      | 3.62 (4.59)           | 3.75 (4.72) | -           | -           |
| 1.875 (OS)  | 5.50 (5.99)   | 2.63 (3.41)       | 2.94 (3.79) | 2.56            | 0.73      | 1.95      | 3.75 (4.65)           | 3.88 (4.78) | -           | -           |
| 2.000       | 5.50          | 2.75              | 3.19        | 2.69            | 0.73      | 1.95      | 4.13                  | 4.27        | -           | -           |
| 2.125 (OS)  | 6.00 (6.99)   | 2.88 (3.70)       | 3.44 (4.23) | 2.81            | 0.73      | 1.95      | 4.25 (5.09)           | 4.38 (5.22) | 4.50 (5.34) | -           |
| 2.250       | 6.00          | 3.00              | 3.56        | 2.94            | 0.73      | 1.95      | 4.37                  | 4.50        | 4.62        | -           |
| 2.375 (OS)  | 6.00 (8.39)   | 3.13 (3.93)       | 3.59 (4.48) | 3.06            | 0.73      | 1.95      | 4.56 (5.34)           | 4.75 (5.47) | 4.82 (5.59) | -           |
| 2.500 (OS)  | 6.50 (7.76)   | 3.25 (3.93)       | 3.81 (5.23) | 3.19            | 0.73      | 1.95      | 4.62 (6.09)           | 4.75 (6.22) | 4.87 (6.34) | -           |
| 2.625 (OS)  | 6.50 (6.98)   | 3.38 (4.30)       | 3.95 (4.76) | 3.31            | 0.73      | 1.95      | 5.00 (5.62)           | 5.13 (5.75) | 5.26 (5.87) | -           |
| 2.750 (OS)  | 7.70 (7.89)   | 3.76 (4.45)       | 4.38 (4.76) | 3.67            | 0.94      | 2.48      | -                     | 5.42 (5.75) | 5.54 (5.87) | -(6.00)     |
| 2.875       | 7.83          | 3.88              | 4.50        | 3.79            | 0.94      | 2.48      | -                     | 5.61        | 5.73        | -           |
| 3.000 (OS)  | 7.94 (8.64)   | 4.00 (4.92)       | 4.69 (5.37) | 3.91            | 0.94      | 2.48      | -                     | 5.65 (6.36) | 5.77 (6.48) | -(6.61)     |
| 3.125       | 7.99          | 4.13              | 4.80        | 4.04            | 0.94      | 2.48      | -                     | 5.80        | 5.92        | -           |
| 3.250       | 8.19          | 4.25              | 4.94        | 4.16            | 0.94      | 2.48      | -                     | 6.07        | 6.19        | -           |
| 3.375 (OS)  | 8.30 (8.39)   | 4.38 (4.95)       | 5.05 (5.26) | 4.29            | 0.94      | 2.48      | -                     | 6.19 (6.23) | 6.32 (6.35) | 6.44 (6.48) |
| 3.500       | 8.44          | 4.50              | 5.19        | 4.41            | 0.94      | 2.48      | -                     | 6.18        | 6.31        | 6.43        |
| 3.625       | 8.49          | 4.63              | 5.25        | 4.54            | 0.94      | 2.48      | -                     | 6.42        | 6.54        | 6.67        |
| 3.750 (OS)  | 8.71 (9.76)   | 4.75 (5.95)       | 5.39 (6.38) | 4.66            | 0.94      | 2.48      | -                     | 6.38 (7.37) | 6.51 (7.49) | 6.63 (7.61) |
| 3.875       | 8.84          | 4.88              | 5.51        | 4.79            | 0.94      | 2.48      | -                     | 6.62        | 6.74        | 6.87        |
| 4.000       | 8.96          | 5.00              | 5.69        | 4.91            | 0.94      | 2.48      | -                     | 6.65        | 6.78        | 6.90        |
| 4.125 (OS)  | 8.99 (9.76)   | 5.13 (5.95)       | 5.80 (6.26) | 5.04            | 0.94      | 2.48      | -                     | 6.77 (7.23) | 6.90 (7.35) | 7.02 (7.48) |
| 4.250       | 8.99          | 5.25              | 5.94        | 5.16            | 0.94      | 2.48      | -                     | 7.06        | 7.19        | 7.31        |
| 4.375       | 9.33          | 5.38              | 6.06        | 5.29            | 0.94      | 2.48      | -                     | 7.02        | 7.15        | 7.27        |
| 4.500 (OS)  | 9.49 (12.49)  | 5.50 (6.73)       | 6.19 (7.49) | 5.41            | 0.94      | 2.48      | -                     | 7.17 (8.46) | 7.30 (8.58) | 7.42 (8.71) |
| 4.625       | 9.49          | 5.63              | 6.31        | 5.54            | 0.94      | 2.48      | -                     | 7.45        | 7.57        | 7.70        |
| 4.750 (OS)  | 10.49 (11.39) | 5.75 (7.20)       | 6.47 (7.63) | 5.66            | 0.94      | 2.48      | -                     | 7.55 (8.62) | 7.68 (8.74) | 7.80 (8.87) |

Chesterton ISO certificates available on [chesterton.com/corporate/iso](http://chesterton.com/corporate/iso)

Viewin™ and AXIUS™ are trademarks of A.W. Chesterton Company. Technical data reflects results of laboratory tests and is intended to indicate general characteristics only. A.W. Chesterton Company disclaims all warranties express or implied, including warranties of merchantability and fitness for a particular purpose. Liability, if any, is limited to product replacement only. Any images contained herein are for general illustrative or aesthetic purposes only and are not intended to convey any instructional, safety, handling or usage information or advice respecting any product or equipment. Please refer to relevant Safety Data Sheets, Product Data Sheets, and/or Product Labels for safe use, storage, handling, and disposal of products, or consult with your local Chesterton sales representative.

© 2020 A.W. Chesterton Company  
 Registered trademark owned by A.W. Chesterton Company in USA and other countries, unless otherwise noted.

## Maahantuoja: